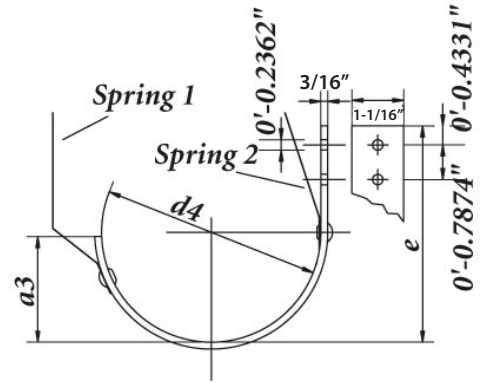


Heavy Duty Copper Gutter Hanger



size	material thickness	material width	d4	a3	e
5"	0.197"	1-1/8"	5.00"	2.25"	4.5625"
6"	0.197"	1-1/8"	6.02"	2.75"	5.125"
7.6"	0.197"	1-1/8"	7.56"	3.4375"	5.9375"